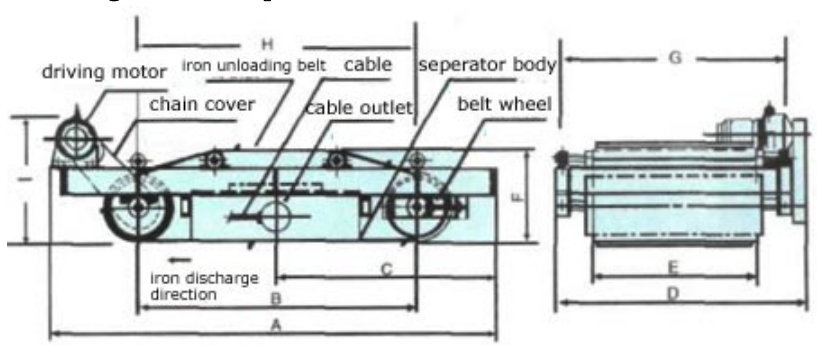




Self-discharge Electromagnetic Separator Model Series MC22



product series is designed for long term operating tied with self-discharge function and semi-spheretic field.installed with continuous operating trump iron discharging conveyor which helps to throw the magnetic material into the iron collection tray.It is moving the magnetic iron particles from thebed of the material and material under bigger granularity such as ores.coals.hard cokes,limestone and etc.

Main technical data

TD-100%

Model	T(mm) Erection height	(mm) Belt width	voltage (V)	power (KW)	overall dimension (mm)							Driven power (kw)	Mass (kg)	Controllim unit
					A	B	C	D	G	H	I			
MC22-5035L	140	400	110	1.02	2100	1100	1000	920	760	700	793	1.5	750	SSTM
MC22-7045L	190	600	110	1.88	2200	1350	1030	1120	915	1100	768	1.5	1250	SSTM-3.1D1
MC22-7085L	200	650	110	2.6	2730	1775	1230	1148	915	1330	760	2.2	2150	
MC22-9060L	230	650	110	2.9	2360	1410	1080	1370	1165	850	780	2.2	1920	
MC22-11075L	290	800	220	3.8	2980	1985	1450	1390	1375	1300	777	2.2	2660	SSTM
MC22-130140L	400	1200	220	6.8	3650	2700	1700	1800	1575	1320	860	4	6100	SSTQ-9.3DI
MC22-150110L	370	1400	220	7	3250	2050	1550	2000	1775	1400	970	4	6900	

©Copyright 2007 YUXIANG Magnetic Materials Ind. Co.,Ltd.All Rights Reserved.