



magnetonmove.com

## RCYF series permanent magnetism separator

### Applications:

RCYF series permanent magnetism separator is a kind save energy equipment which produce strong magnetic field attraction force by rare-earth permanent magnetism material. The series separators can be used with belt conveyors, vibration conveyors etc. to remove 0. 1-25kg magnetic object from non-magnetic material so ensure normal safe work of grinders and crushers and conveyer belts etc. in transport equipment.

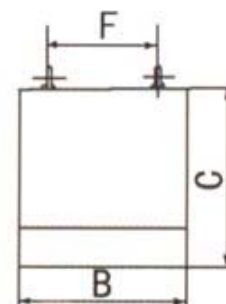
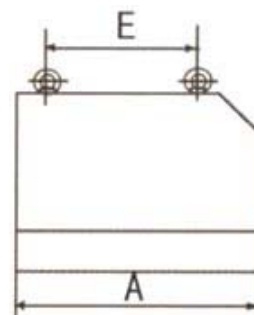
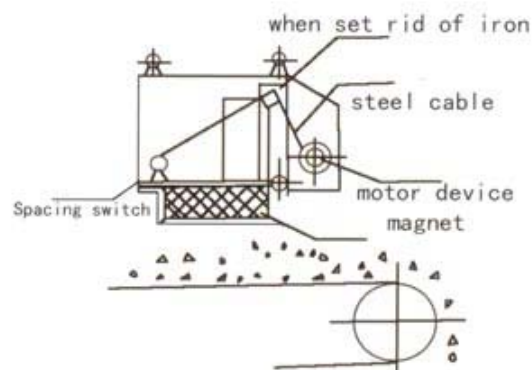
The series products may widely used in power, metal lurgical, mining, ceramic, chemical, glass, papermaking, building materials, sugar, food, cement, coal washing factory etc. trade. It may suit various adverse circumstances.

### Feature:

1. Save energy with permanent magnetism box replace electromagnetic box.
2. Magnetic field are distributed reasonable, affect depth deeper.
3. Safe function good, working reliability high.
4. Ferromagnetic material don't fall on material of transport when break electricity.
5. Get rid of iron by motor-driven.

### Working principle:

Ferromagnetic material of mixed non-magnetic material be attracted on stainless steel plate of below separator by strong magnetic field attract force when transport material through permanent magnetism box below. Press control push button so magnet turn 90 degree that magnetic field transfer when ferromagnetic material be absorbed reach fixed quantity, Therefore, ferromagnetic material be absorbed will drop so reach aim of get rid of iron.



main technical pauaneter

parameter \ model \ item	RCYF-4	RCYF-5	RCYF-6	RCYF-8	RCYF-10	RCYF-12
(mm) suit belt width	400	500	650	800	1000	1200
(m/s) suit belt speed	≤4					
(mm) rated suspension height	125	150	200	250	300	350
(mT) rated suspensio height centre magnetic field strength	≥63			≥65		
drive power	1. 1		1.5		2. 2	3
II (kg) weight	580	700	920	1020	1500	2480
(mm) size for suspend	760 ×650	800 ×700	850 ×720	900 ×800	1000 ×1000	1300 ×1280

<b>A xB xC appearance size(mm)</b>	1100	1200	1260	1400	1600	2050
	x750	x800	x800	x850	x1060	x1320
	x800	x820	x850	x980	x1220	x1460

©Copyright 2007 YUXIANG Magnetic Materials Ind. Co.,Ltd.All Rights Reserved.